

ACCELERATING INNOVATION

ISOCOVERS



Pipe and Valve Insulation

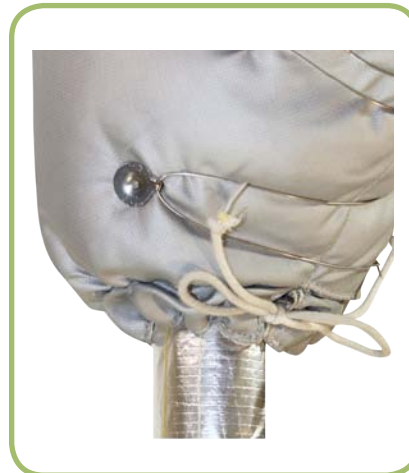
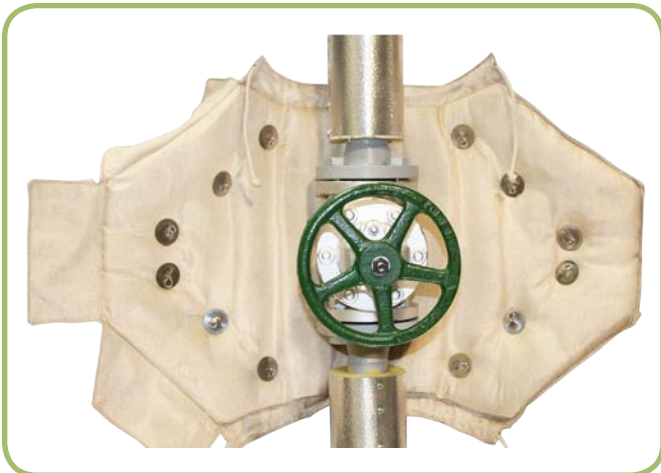
Removable insulation covers for valves and flanges are an effective, convenient, and low cost solution to reduce heat loss and lower energy bills. The pipe and components insulation line is designed to fit an array of fittings and sizes, and can be used on almost any application that requires thermal processing. Below, you will find a small list of common applications used in a variety of industrial operations, but is not limited to these items only:

Applications

- Valves
- Pipes
- Sight Glasses
- Flanges Strainers
- Filters and Regulators
- Fittings
- Pumps
- Manifolds
- Pressure Reducing Valves
- DeSuper Heaters

Designing removable insulation blankets for engine and exhaust components and process piping can sometimes be a challenge. While straight piping and simple geometries are straightforward, many components have either complex geometrical shapes, or a number of protrusions and supports, which need to be accounted for.

Fortunately, UniTherm has developed the ISOCOVERS Insulation Line for insulating straight sections of pipe, as well as complex surfaces such as valve bodies and other multifaceted configurations.



Wrap ISOCOVER around pipe component. Tie drawstrings firmly. Use stainless steel wire to securely close ISOCOVER.

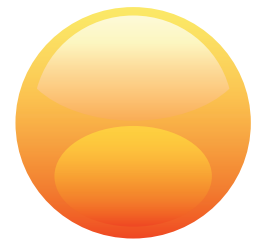
About

UniTherm International, located in Lewisville, Texas, is a manufacturer of insulation blankets for all applications.

UniTherm designs, develops, and manufactures insulation blankets for all applications, specializing in the plastics and oil and gas industries. Our goal is to create unrivaled insulation systems that offer an array of benefits: energy efficiency, personnel protection, ease of use, and durability.

We are continuously working to create new insulation products, which benefit the environment through increased energy efficiency and protect personnel from hot applications. Our dedication in providing premium insulation systems, has led to the creation of several unique, patented products to serve various industries around the world.

UniTherm's number one objective is to serve our customers. We continuously improve our standard of excellence through product improvement and customer devotion. Here at UniTherm, we are proud of our high standards for quality, simplicity, cost, and delivery.



Contact

UniTherm Insulation Systems

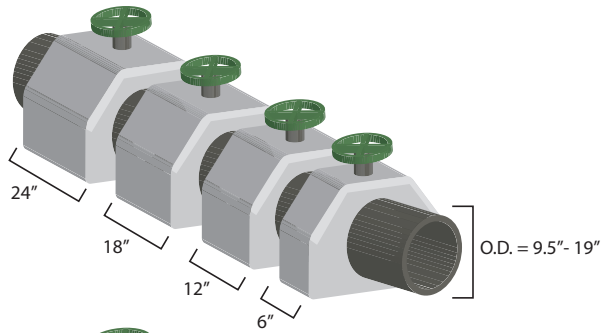
711 Jones St. Lewisville, Texas 75057

| info@unitherm.com

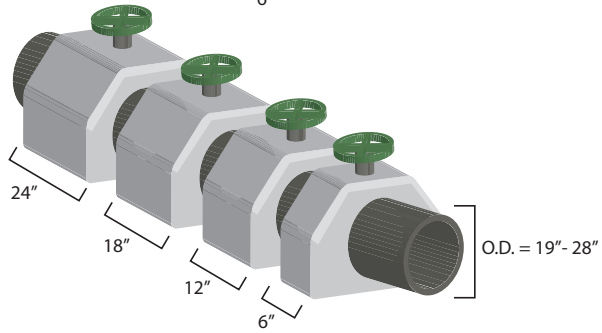
Toll Free: 800-657-9542

Company Website: www.unitherm.com

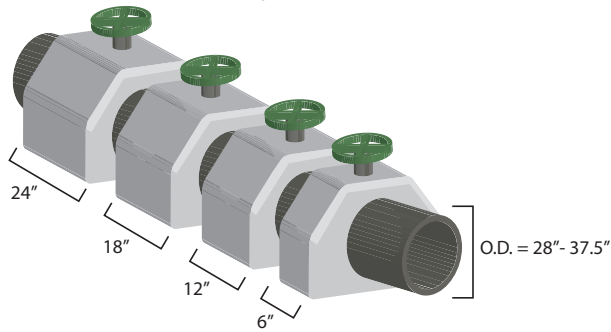
* Mix and match different widths to fit your specifications



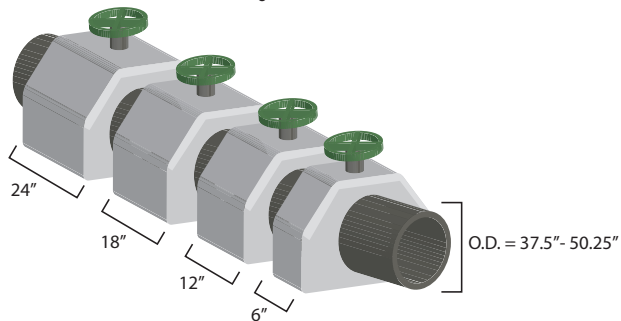
Part Number	Width	Weight	Thickness	Temp. Rating
IV2406	6"	1 lbs.	3"	0°F - 800°F
IV2412	12"	2 lbs.	3"	0°F - 800°F
IV2418	18"	3 lbs.	3"	0°F - 800°F
IV2424	24"	4 lbs.	3"	0°F - 800°F



Part Number	Width	Weight	Thickness	Temp. Rating
IV3606	6"	1.5 lbs.	3"	0°F - 800°F
IV3612	12"	3 lbs.	3"	0°F - 800°F
IV3618	18"	4.5 lbs.	3"	0°F - 800°F
IV3624	24"	6 lbs.	3"	0°F - 800°F



Part Number	Width	Weight	Thickness	Temp. Rating
IV4806	6"	2 lbs.	3"	0°F - 800°F
IV4812	12"	4 lbs.	3"	0°F - 800°F
IV4818	18"	6 lbs.	3"	0°F - 800°F
IV4824	24"	8 lbs.	3"	0°F - 800°F



Part Number	Width	Weight	Thickness	Temp. Rating
IV6006	6"	2.5 lbs.	3"	0°F - 800°F
IV6012	12"	5 lbs.	3"	0°F - 800°F
IV6018	18"	7.5 lbs.	3"	0°F - 800°F
IV6024	24"	10 lbs.	3"	0°F - 800°F

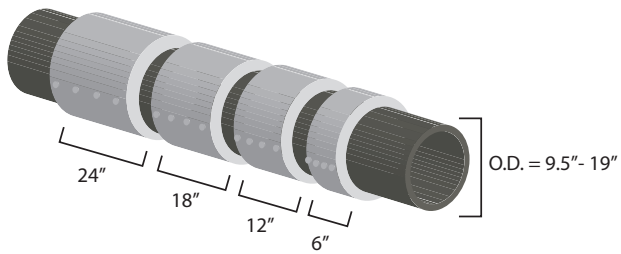
ISOCOVERS ISO Valves are designed to fit closely with tight joints on complex shapes, such as valve fittings, strainers, T or Y joints, or the like.

Benefits

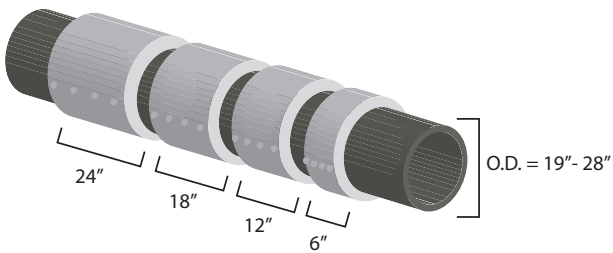
- Removable & Reusable
- Personnel Protection
- Meets & Exceeds OSHA's "Touch Safe" Rating
- Reduces Energy Consumption
- Improves Equipment Efficiency & Longevity
- Reduces Heat Loss & Unnecessary Emissions



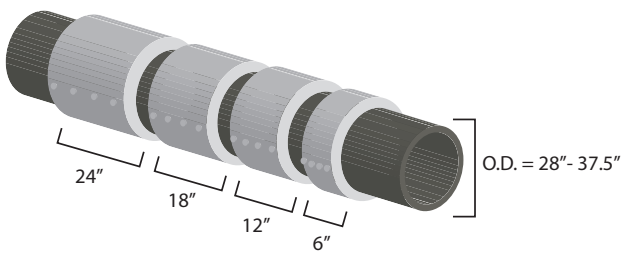
* Mix and match different widths to fit your specifications



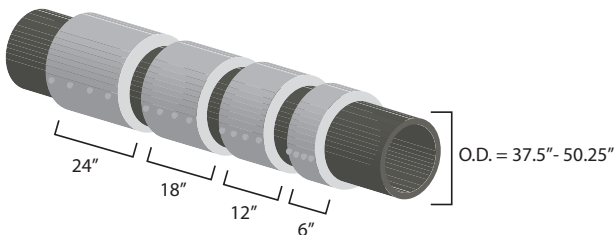
Part Number	Width	Weight	Thickness	Temp. Rating
IW2406	6"	1 lbs.	3"	0°F - 800°F
IW2412	12"	3 lbs.	3"	0°F - 800°F
IW2418	18"	4 lbs.	3"	0°F - 800°F
IW2424	24"	4.5 lbs.	3"	0°F - 800°F



Part Number	Width	Weight	Thickness	Temp. Rating
IW3606	6"	1.5 lbs.	3"	0°F - 800°F
IW3612	12"	3 lbs.	3"	0°F - 800°F
IW3618	18"	4.5 lbs.	3"	0°F - 800°F
IW3624	24"	6 lbs.	3"	0°F - 800°F



Part Number	Width	Weight	Thickness	Temp. Rating
IW4806	6"	2 lbs.	3"	0°F - 800°F
IW4812	12"	4 lbs.	3"	0°F - 800°F
IW4818	18"	4.5 lbs.	3"	0°F - 800°F
IW4824	24"	8 lbs.	3"	0°F - 800°F



Part Number	Width	Weight	Thickness	Temp. Rating
IW6006	6"	2.5 lbs.	3"	0°F - 800°F
IW6012	12"	5 lbs.	3"	0°F - 800°F
IW6018	18"	7.5 lbs.	3"	0°F - 800°F
IW6024	24"	10 lbs.	3"	0°F - 800°F

ISOCOVERS ISO Wraps are suitable for straight sections of pipe, which do not involve complex shapes, such as flanges, couplings and the like.

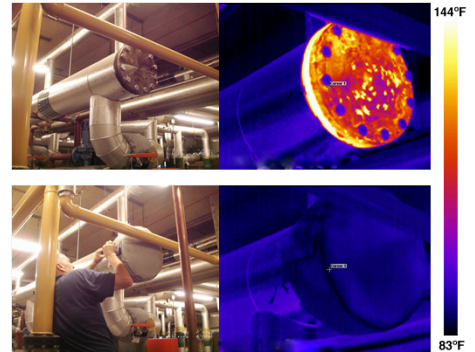
Features

- Adjustable draw cord to ensure a tight fit.
- Maintains physical integrity up to 800°F
- Flexible one-piece design
- High temperature flap allows seam to overlap
- Bright yellow, visible "Hot Surface" patch
- Lacing anchors to adjust circumference



Insulation Solutions for Pipe and Valve Components

Piping in most buildings is generally well insulated. However in some sites there are pipe runs, mechanical fittings and valve bodies that are bare. When left bare, though, uninsulated valves and fittings can lose huge amounts of heat that can add significant costs to the energy bill and create unnecessary health and safety issues. This can be avoided by simply installing insulation on the uninsulated or under-insulated valves and fittings.



UniTherm's removable insulation jackets are an effective and convenient way to prevent heat loss, and protect equipment and personnel. UniTherm insulation jackets are designed with draw cords and lacing hook and wire. This makes them easy to install, remove, and reinstall.

Less Heat Emissions Means Safer Environment

UniTherm insulation jackets not only meet OSHA's 120°F Surface Temperature requirement, but exceeds it by 25%.

Operation Temperature	Ambient Air Temperature	Blanket Surface Temperature
180°F	72°F	79°F
350°F	76°F	93°F

OSHA Requires 120°F Surface Temperature

Other Related Products



C Rings, 3/4in, 304 Stainless Steel, PK1000: Ideal for industrial applications where fastening or tie-downs are desired.

Part # CR-.5 & CR-.75



C Ring Pliers, 8 In, Nickel Plated: Designed to install the most commonly used types of C Rings with ease.

Part # CRP



304 Stainless steel lacing hook is used for fabrication of lacing insulation blankets or removable insulation covers with anchor assisting in fabrication.

Part # LHW



304 stainless steel .051" safety wire is used as a method of reinforcing fasteners and other parts for stability during use.

Part # SSLW304

Product	Diameter	Circumference	Long	Width	Part Number
Iso Valve	3" - 6" (76mm - 152mm)	10" - 19" (241mm - 483mm)	24" (610mm)	6" (152mm)	IV2406
Iso Valve	3" - 6" (76mm - 152mm)	10" - 19" (241mm - 483mm)	24" (610mm)	12" (305mm)	IV2412
Iso Valve	3" - 6" (76mm - 152mm)	10" - 19" (241mm - 483mm)	24" (610mm)	18" (457mm)	IV2418
Iso Valve	3" - 6" (76mm - 152mm)	10" - 19" (241mm - 483mm)	24" (610mm)	24" (610mm)	IV2424
Iso Valve	6" - 9" (152mm - 229mm)	19" - 28" (483mm - 711mm)	36" (914mm)	6" (152mm)	IV3606
Iso Valve	6" - 9" (152mm - 229mm)	19" - 28" (483mm - 711mm)	36" (914mm)	12" (305mm)	IV3612
Iso Valve	6" - 9" (152mm - 229mm)	19" - 28" (483mm - 711mm)	36" (914mm)	18" (457mm)	IV3618
Iso Valve	6" - 9" (152mm - 229mm)	19" - 28" (483mm - 711mm)	36" (914mm)	24" (610mm)	IV3624
Iso Valve	9" - 12" (229mm - 305mm)	28" - 37" (711mm - 953mm)	48" (1219mm)	6" (152mm)	IV4806
Iso Valve	9" - 12" (229mm - 305mm)	28" - 37" (711mm - 953mm)	48" (1219mm)	12" (305mm)	IV4812
Iso Valve	9" - 12" (229mm - 305mm)	28" - 37" (711mm - 953mm)	48" (1219mm)	18" (457mm)	IV4818
Iso Valve	9" - 12" (229mm - 305mm)	28" - 37" (711mm - 953mm)	48" (1219mm)	24" (610mm)	IV4824
Iso Valve	12" - 16" (305mm - 406mm)	37" - 50" (953mm - 1276mm)	60" (1524mm)	6" (152mm)	IV6006
Iso Valve	12" - 16" (305mm - 406mm)	37" - 50" (953mm - 1276mm)	60" (1524mm)	12" (305mm)	IV6012
Iso Valve	12" - 16" (305mm - 406mm)	37" - 50" (953mm - 1276mm)	60" (1524mm)	18" (457mm)	IV6018
Iso Valve	12" - 16" (305mm - 406mm)	37" - 50" (953mm - 1276mm)	60" (1524mm)	24" (610mm)	IV6024
Iso Wrap	3" - 6" (76mm - 152mm)	10" - 19" (241mm - 483mm)	24" (610mm)	6" (152mm)	IW2406
Iso Wrap	3" - 6" (76mm - 152mm)	10" - 19" (241mm - 483mm)	24" (610mm)	12" (305mm)	IW2412
Iso Wrap	3" - 6" (76mm - 152mm)	10" - 19" (241mm - 483mm)	24" (610mm)	18" (457mm)	IW2418
Iso Wrap	3" - 6" (76mm - 152mm)	10" - 19" (241mm - 483mm)	24" (610mm)	24" (610mm)	IW2424
Iso Wrap	6" - 9" (152mm - 229mm)	19" - 28" (483mm - 711mm)	36" (914mm)	6" (152mm)	IW3606
Iso Wrap	6" - 9" (152mm - 229mm)	19" - 28" (483mm - 711mm)	36" (914mm)	12" (305mm)	IW3612
Iso Wrap	6" - 9" (152mm - 229mm)	19" - 28" (483mm - 711mm)	36" (914mm)	18" (457mm)	IW3618
Iso Wrap	6" - 9" (152mm - 229mm)	19" - 28" (483mm - 711mm)	36" (914mm)	24" (610mm)	IW3624
Iso Wrap	9" - 12" (229mm - 305mm)	28" - 37" (711mm - 953mm)	48" (1219mm)	6" (152mm)	IW4806
Iso Wrap	9" - 12" (229mm - 305mm)	28" - 37" (711mm - 953mm)	48" (1219mm)	12" (305mm)	IW4812
Iso Wrap	9" - 12" (229mm - 305mm)	28" - 37" (711mm - 953mm)	48" (1219mm)	18" (457mm)	IW4818
Iso Wrap	9" - 12" (229mm - 305mm)	28" - 37" (711mm - 953mm)	48" (1219mm)	24" (610mm)	IW4824
Iso Wrap	12" - 16" (305mm - 406mm)	37" - 50" (953mm - 1276mm)	60" (1524mm)	6" (152mm)	IW6006
Iso Wrap	12" - 16" (305mm - 406mm)	37" - 50" (953mm - 1276mm)	60" (1524mm)	12" (305mm)	IW6012
Iso Wrap	12" - 16" (305mm - 406mm)	37" - 50" (953mm - 1276mm)	60" (1524mm)	18" (457mm)	IW6018
Iso Wrap	12" - 16" (305mm - 406mm)	37" - 50" (953mm - 1276mm)	60" (1524mm)	24" (610mm)	IW6024
Product					Part Number
C Ring Pliers					CRP
Product					Part Number
C Ring 1/2					CR-.5
C Ring 3/4					CR-.75
Product					Part Number
Stainless Steel Lacing Wire					SSLW304
Product					Part Number
Lacing Anchor & Washer Set					LHW

**ISOCOVERS has a 14 day exchange policy. Refunds are not permitted.
ISOCOVERS comes with a 1-year manufacturer warranty
with the ability to purchase an extended warranty.**

UNITHERM
insulation systems

Toll Free: 800.657.9542

Phone: 972.436.1401

Fax: 972.436.0112

info@unitherm.com

711 Jones St.

Lewisville, Texas 75057

ICREV#01