



HIGH PRESSURE - Seal Welded Ball Valve - 1 PC Body

FloTron-II Series

Models:

S6000 - SS

S6000 - CS

Threaded End Connections

6000 PSI WOG

Size: 1/4" - 2"

Full Bore 1/4" - 1 1/2"

2" Standard Bore



Design Features:

- Seal Welded Body
- Blow-out Proof Stem Design
- NACE MR0175-90
- Heavy Duty, Rugged Construction
- Lockable Handles
- API 607-4 Fire Safe
- API 608 Compliance
- Anti-Static Ground
- Casting Traceability
- Actuator Mounting Pad

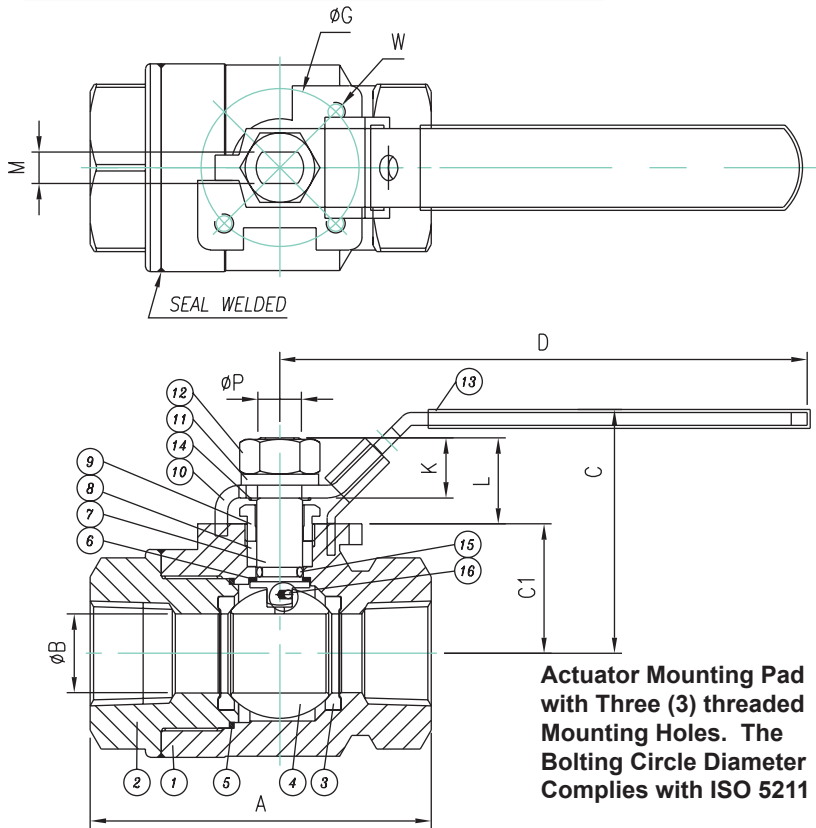
Seal Welded Design

Eliminating the possibility of body tail piece unthreading. Eliminating any possible leakage at body joints - safe, sure pressure containment.

Automatic Welding equipment is used for welding body joints. The welding width is always uniform and the weld penetration is consistent. Our equipment maintains a consistent water flow inside the valve, this assures a safe temperature which prevents damage to all valve seats and seals.

Ideal for Hydraulic, Petrochemical and many other industries that required tight pressure valves

DESIGN AND TECHNICAL DATA



Model:

Carbon Steel: S6000-CS

Stainless Steel: S6000-SS

BILL OF MATERIALS:

| Item | Part Name | S6000-SS | S6000-CS |
|------|--------------------|-----------|------------------|
| 1 | Body | A351 CF8M | A216 WCB |
| 2 | End Cap | A351 CF8M | A216 WCB |
| 3 | Seat | Delrin | Delrin |
| 4 | Ball | SS316 | SS304 |
| 5 | Gasket | Graphite | Graphite |
| 6 | Thrust Washer # | PTFE | PTFE |
| 7 | Stem | A276 316 | A276 304 |
| 8 | Stem Packing # | Graphite | Graphite |
| 9 | Gland | SS304 | SS304 |
| 10 | Handle | SS304 | Zinc Plated C.S. |
| 11 | Handle Washer | SS304 | SS304 |
| 12 | Handle Nut | SS304 | SS304 |
| 13 | Handle Cover | PVC | PVC |
| 14 | Anti-Static Spring | SS301 | SS301 |
| 15 | O-Ring # | Viton | Viton |
| 16 | Anti-Static Device | SS316 | SS304 |

Parts included in the repair kits

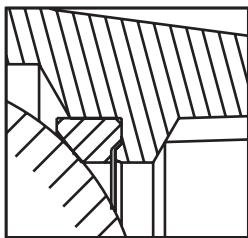
Conform to:

- API STANDARD 6D
- ANSI B1.20.1 Threaded End NPT
- ANSI Class 2500 (6000 WOG)
- Fire Safe Testing API607
- API 608 Compliance

6000 Psi TESTING:

Test Pressure: Shell 9,000 Psi
Seat 6,000 Psi

FIRE-SAFE DESIGN FEATURE:



FIRE SAFE Flo-Tite's Model S6000 valves are supplied as standard with graphite stem packing and body seal. Valves are certified fire safe. In the event of a fire, after heat destroys the primary resilient seat, the ball makes contact with the secondary metal seat, forming a secure seal. The graphite body seal prevents external leakage. The graphite live-loaded stem packing prevents stem leakage. All valves have anti-static devices as standard, grounding ball and stem to body.

DIMENSIONS AND WEIGHTS:

| SIZE | A | B | C | C1 | D | G | K | L | M | P | W | Cv | Torque In-Lb | Weight Lbs |
|--------|------|------|------|------|------|------|------|------|------|------|----|-----|--------------|------------|
| 1/4" | 2.80 | 0.37 | 2.34 | 0.96 | 4.25 | 1.42 | 0.31 | 0.50 | 0.20 | 0.31 | M5 | 7 | 195 | 1.19 |
| 3/8" | 2.80 | 0.37 | 2.34 | 0.96 | 4.25 | 1.42 | 0.31 | 0.50 | 0.20 | 0.31 | M5 | 8 | 195 | 1.15 |
| 1/2" | 3.19 | 0.49 | 2.34 | 0.96 | 4.25 | 1.42 | 0.31 | 0.50 | 0.20 | 0.31 | M5 | 10 | 233 | 1.50 |
| 3/4" | 3.78 | 0.79 | 2.50 | 1.24 | 5.16 | 1.65 | 0.55 | 0.83 | 0.28 | 0.39 | M5 | 35 | 404 | 2.76 |
| 1" | 4.25 | 0.98 | 3.00 | 1.61 | 6.57 | 1.97 | 0.75 | 1.06 | 0.39 | 0.55 | M6 | 68 | 825 | 4.87 |
| 1-1/4" | 4.72 | 1.26 | 3.19 | 1.81 | 6.57 | 1.97 | 0.75 | 1.06 | 0.39 | 0.55 | M6 | 110 | 860 | 7.41 |
| 1-1/2" | 5.12 | 1.50 | 4.30 | 2.40 | 8.66 | 2.76 | 1.14 | 1.56 | 0.47 | 0.79 | M8 | 155 | 997 | 12.1 |
| *2" | 5.91 | 1.50 | 4.30 | 2.40 | 8.66 | 2.76 | 1.14 | 1.56 | 0.47 | 0.79 | M8 | 155 | 1490 | 14.7 |

* 2" size is standard port design

PRESSURE AND TEMPERATURE CHART:

