

307F Sanitary Ball Valve

3-Piece Tube Full Port



For Sanitary
Applications

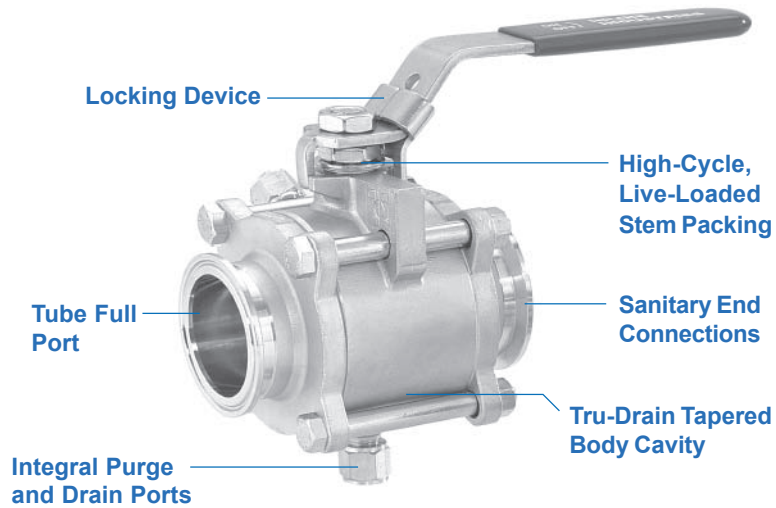
Cosmetic

Food & Beverage

Paints & Dyes

The 307F Series Sanitary Ball Valve

The 307F series utilizes a unique Tru-Drain tapered cavity body and integral purge and drain ports to eliminate potential pooling. This clean-in-place system provides outstanding performance in sanitary applications.



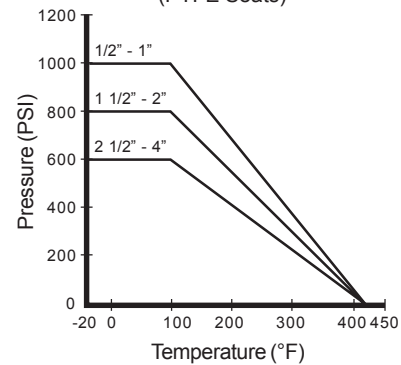
Standard Features and Benefits

- **Tru-Drain Tapered Body Cavity**
Eliminates pooling of process media
- **Integral Purge and Drain Ports**
Quickly drains body cavity
- **High-Cycle, Live-Loaded Stem Packing**
Ensures tight seal
Extends service life
- **3-Piece Swing-in-Place Construction**
Easy to repair in service line
- **316SS Construction with 316L Weld Ends**
One valve can be used for many service conditions
- **Blow-Out-Proof Stem**
Stem is bottom loaded to prevent removal when valve is in service
- **Investment Cast**
Improves dimensional control and reduces porosity
- **Internal Surfaces Roll Burnished Prior to Final Polish**
Reduces surface porosity
Improves surface finish
- **25 Ra Internal Surface Finish**
- **Locking Device**
Enables plant personnel to secure valve in open or closed position when manually operated

Options

- Clamp, tube butt weld, extended tube butt weld ends
- Polish and electro-polish to customer's specification

307 Pressure / Temperature Chart
(PTFE Seats)

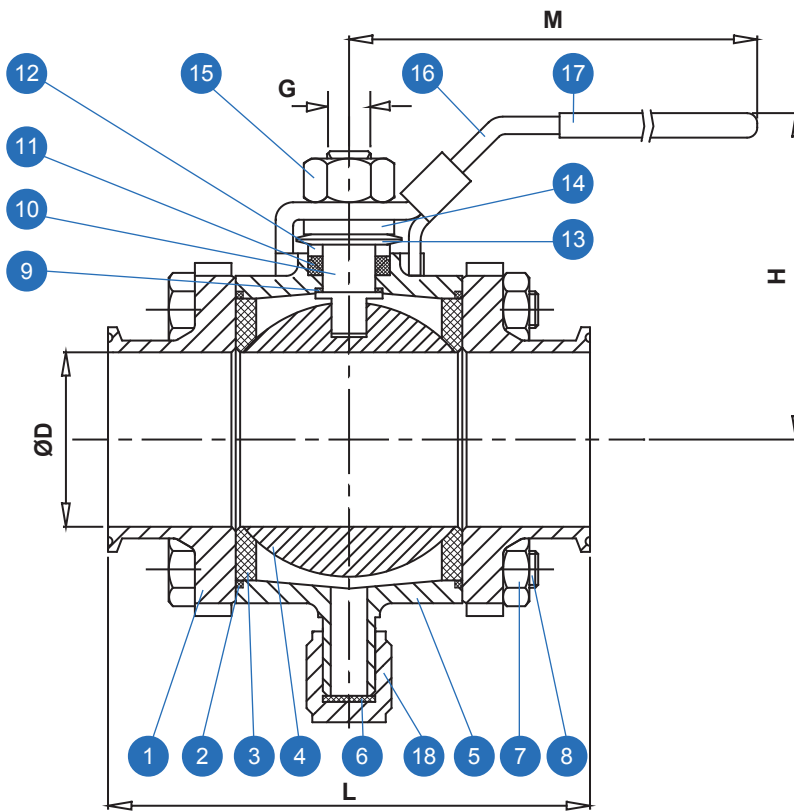
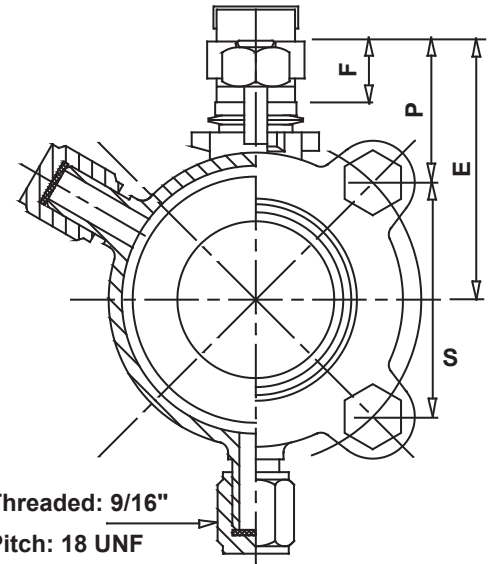
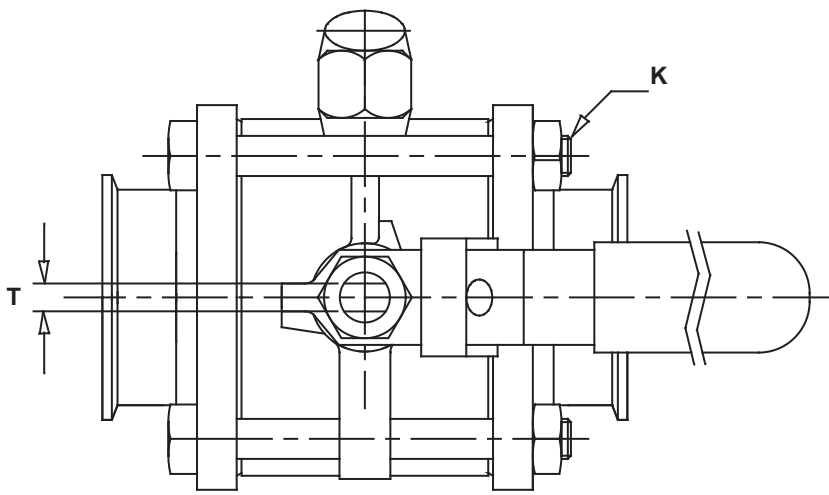


Operating Conditions

- Temperature Range (PTFE):
-20°F - 420°F
- Maximum Pressure (PTFE):
1000 PSI (1/2" - 1"), 800 PSI
(1 1/2" - 2"), 600 PSI (2 1/2" - 4")

Specifications

- Valves inspected and tested to API 598 and meet MSS SP-61 seat leakage requirements
- All materials comply with applicable ASTM material specifications and USDA and FDA material requirements
- Material test reports available upon request



Valve Components			
#	Part Name	Material	Qty.
1	End Cap	A351 Gr. CF8M	2
2	Body Seal	PTFE	2
3	Seat	PTFE	2
4	Ball	316SS	1
5	Body	A351 Gr. CF8M	1
6	CIP Port Seal	PTFE	2
7	Body Nut	304SS	4 ¹
8	Body Bolt	304SS	4 ¹
9	Thrust Washer	PTFE	4
10	Stem	316SS	1
11	Stem Packing Set	PTFE	1
12	Packing Gland	304SS	2
13	Belleville Washer	301SS	2
14	Gland Nut	304SS	1
15	Handle Nut	304SS	1
16	Handle	304SS	1
17	Handle Cover	Vinyl	1
18	Drain Cap	304SS	2

¹ 4" Valve: 6 Nuts and Bolts

Dimensions (Inches)												
Size	D	E	F	G	H	P	L	M	K	S	T	Weight (lbs) Clamp End
1/2	0.38	1.40	0.24	0.310	1.90	0.93	3.50	4.20	M6	0.94	0.196	1.00
3/4	0.63	1.69	0.30	0.388	2.10	1.08	3.50	4.90	M6	1.22	0.255	1.45
1	0.86	2.12	0.36	0.465	2.40	1.27	3.50	5.70	M8	1.72	0.314	2.50
1 1/2	1.36	2.75	0.49	0.544	3.20	1.76	4.50	7.40	M10	2.19	0.381	4.60
2	1.86	3.11	0.49	0.544	3.60	1.76	5.00	7.40	M10	2.71	0.381	7.10
2 1/2	2.35	4.25	0.72	0.779	4.90	2.49	6.75	11.90	1/2	3.51	0.472	15.75
3	2.86	4.60	0.72	0.779	5.40	2.49	7.75	11.90	5/8	4.14	0.472	23.05
4	3.81	5.68	1.02	0.937	6.20	2.52	9.50	12.40	5/8	6.37	0.590	42.10



Cleaning &
Electropolishing



Sanitary Products



Automation
Systems

307F Ordering Information

Example: 2" Full Port Tru-Drain Sanitary Ball Valve with Lever Handle and Locking Device, 316SS Body and Trim, PTFE Seats and Seals, 316SS Clamp Ends, 25 Ra Max Mech. Polish (ID)

Valve Series	Valve Size	Body Material	End Material	Ball Material	Stem Material	Seat	Seal	End Connections	Port	Ball Config.	Surface Finish
307F - Full Port	5 1/2" 7 3/4" A 1" C 1 1/2" D 2" E 2 1/2" F 3" G 4"	6 - A351 Gr. CF8M (316)	6 - A351 Gr. CF8M (316)	6 - A351 Gr. CF8M (316)	6 - A351 Gr. CF8M (316)	T - PTFE M - TFM	T - PTFE M - TFM	O - Tube O.D. Butt Weld C - Clamp (316) P - Compression E - Extended Tube O.D. Butt Weld A - ANSI 150# (316) T - NPT R - I-Line K - Tank Bottom L - Long Clamp	2 - 2 Way	S - Straight Port	None - 25 Ra Max, Mech. Polish SFV1 - 20 Ra Max, Mech. Polish SFV3 - 30 Ra Max, Mech. Polish SFV4 - 15 Ra Max, Electropolish SFV5 - 20 Ra Max, Electropolish SFV6 - 25 Ra Max, Electropolish

Due to continuous product development, information may change without notice.



INLINE INDUSTRIES, INC.

9056 Garvey Avenue
Rosemead, CA 91770
Tel: (800) 568-8998
(626) 813-6188
Fax: (626) 813-6186
www.ballvalve.com
info@ballvalve.com

Distributed by: