

# 201S Ball Valve

## 2-Piece Standard Port



For Automated &  
Manual Service

General Chemical

Industrial

and Other Corrosion  
Resistant Applications

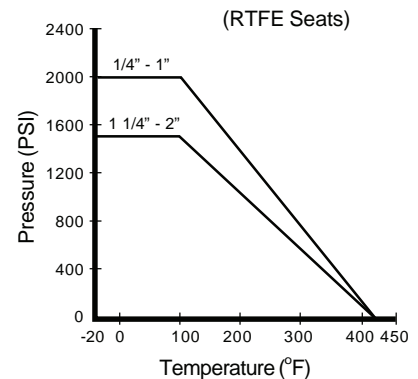
## Standard Features and Benefits

- 1 **Economical 2-Piece Design**
- 1 **Blow-Out-Proof Stem**  
Stem is bottom loaded to prevent removal when valve is in service
- 1 **Locking Device**  
Enables plant personnel to secure valve in open or closed position when manually operated
- 1 **Corrosion Resistant**  
Made of 316 stainless steel (A351 Gr. CF8M) for superior chemical resistance and longer service life
- 1 **Investment Cast**  
Improves dimensional control and reduces porosity
- 1 **Actuator Mounting Pad**

## Options

- 1 Oval handle

## 201S Pressure / Temperature Chart



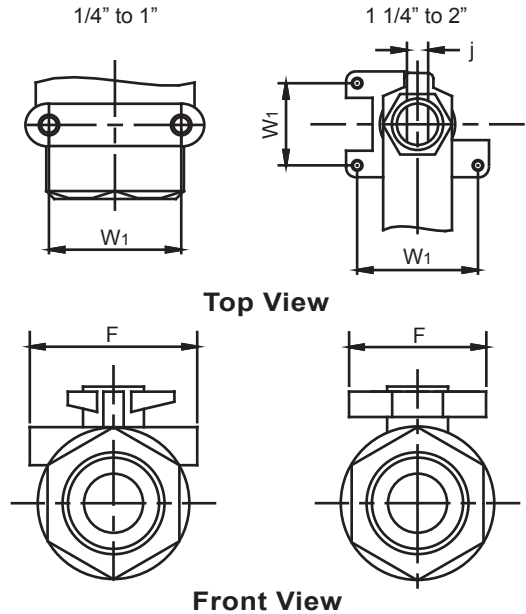
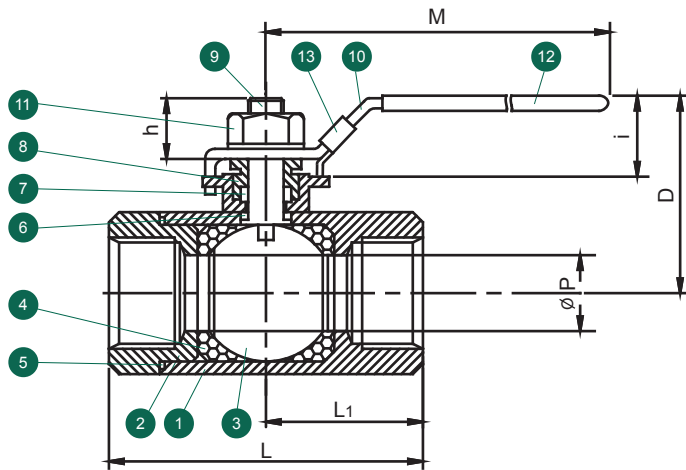
## Operating Conditions

- 1 Temperature range (RTFE):  
-20°F ~ 420°F
- 1 Maximum pressure (RTFE):  
2000 PSI WOG (1/4" ~ 1")  
1500 PSI WOG (1 1/4" ~ 2")

## Specifications

- 1 All valves shell and seat tested to ANSI/ASME B16.34 and API 598





Valve Components			
#	Part Name	Material	Qty.
1	Body	A351 Gr. CF8M	1
2	End Cap	A351 Gr. CF8M	1
3	Ball	316SS	1
4	Seat	RTFE (15% G.F.)	2
5	Body Seal	PTFE	1
6	Thrust Washer	RTFE (15% G.F.)	1
7	Stem Packing Set	RTFE (15% G.F.)	1
8	Packing Gland	304SS	1
9	Stem	316SS	1
10	Handle	304SS	1
11	Handle Nut	304SS	1
12	Handle Cover	Vinyl	1
13	Locking Device	304SS	1

Dimensions (Inches)												
Size	L	L <sub>1</sub>	P	D	M	F	W <sub>1</sub>	h	i	j	Wt. (lbs)	CV
1/4	2.24	1.02	0.51	2.01	3.94	1.54	1.11	0.43	1.38	0.20	0.69	
3/8	2.24	1.02	0.51	2.01	3.94	1.54	1.11	0.43	1.38	0.20	0.69	
1/2	2.36	1.14	0.51	2.01	3.94	1.54	1.11	0.43	1.38	0.20	0.69	
3/4	3.11	1.50	0.69	2.44	4.84	1.81	1.37	0.47	1.65	0.24	1.31	
1	3.35	1.61	0.88	2.64	4.84	1.81	1.37	0.47	1.65	0.24	1.75	
1 1/4	4.02	2.03	1.01	3.31	5.67	1.97	1.40	0.79	1.85	0.37	3.13	
1 1/2	4.37	2.20	1.26	3.50	5.67	1.97	1.40	0.79	2.30	0.37	4.06	
2	5.39	2.68	1.51	3.70	7.09	1.97	1.40	0.79	2.30	0.37	6.00	

## 201S Ordering Information

Example: 2" Standard Port Ball Valve, Actuator Mounting Pad with Lever Handle and Locking Device, 316SS Body and Trim, RTFE (15% G.F.) Seats and PTFE Seals, NPT Ends

Valve Series	Valve Size	Body Material	End Material	Ball Material	Stem Material	Seat	Seal	End Connection	Port	Ball Config.
201S - Standard Port	2 1/4" 3 3/8" 5 1/2" 7 3/4" A 1" B 1 1/4" C 1 1/2" D 2"	6 - A351 Gr. CF8M (316)	6 - A351 Gr. CF8M (316)	6 - A351 Gr. CF8M (316)	6 - A351 Gr. CF8M (316)	R - RTFE (15% G.F.)	T - PTFE	T - NPT	2 - 2 Way	S - Straight Port

Due to continuous product development, information may change without notice.



**INLINE INDUSTRIES, INC.**

9056 Garvey Avenue  
 Rosemead, CA 91770  
 Tel: (626) 813-6188  
 Fax: (626) 813-6186  
 www.ballvalve.com  
 info@ballvalve.com

Distributed by: